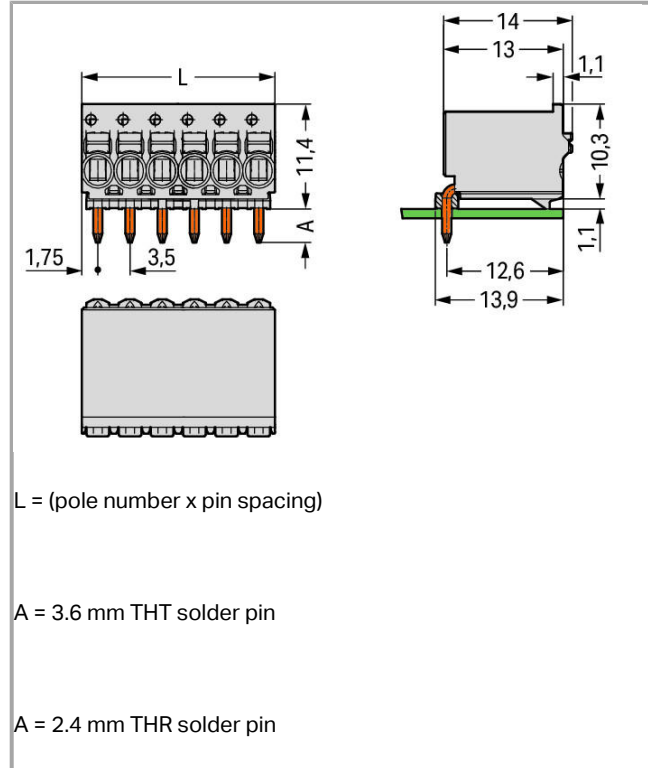
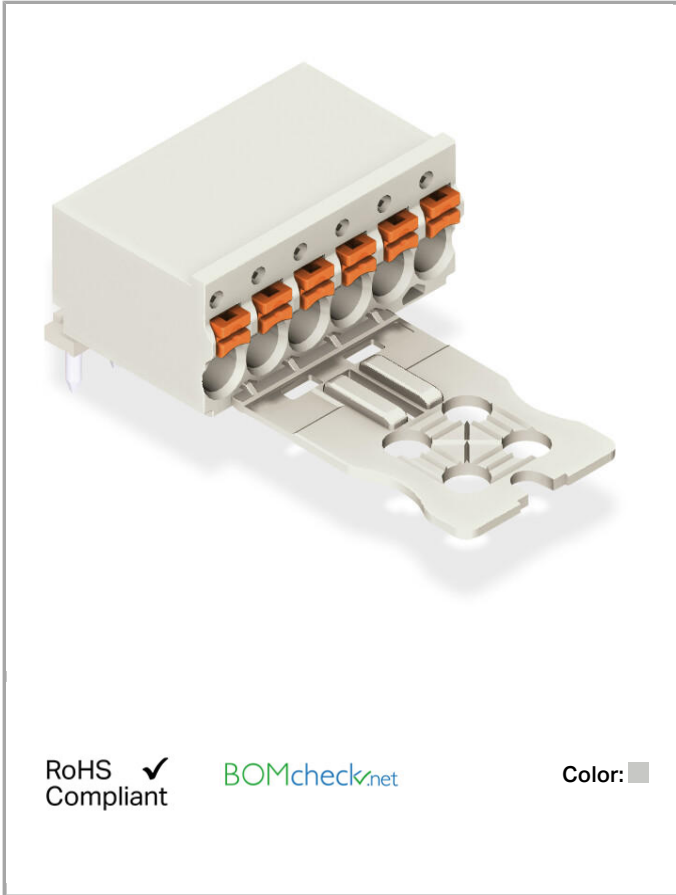


Data sheet | Item number: 2091-1353/000-1000

1-conductor THT female header; 1.0 mm Ø solder pin; angled; Gripping plate; direct marking; 1.5 mm²; Pin spacing 3.5 mm; 3-pole; 1,50 mm²; light gray



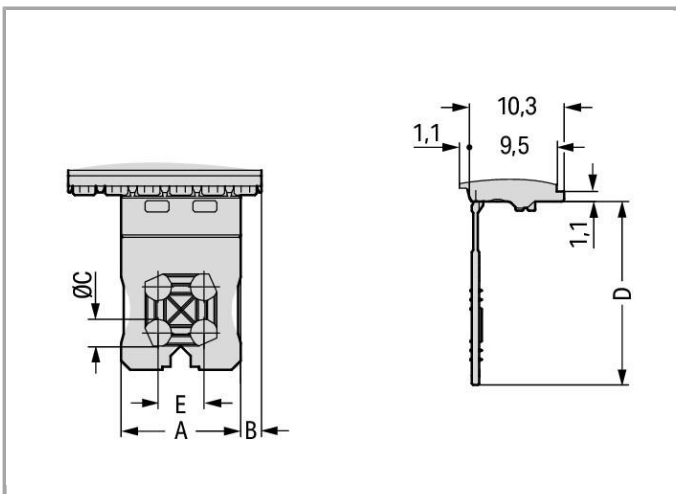
2091-1353_000-1000



RoHS
Compliant ✓

[BOMcheck.net](https://www.bomcheck.net)

Color: ■



Item description

—



- Universal connection for all conductor types
- Simple, push-in termination of solid and ferruled conductors
- Easy-to-use design does not require special tools
- Ability to wire while mated or unmated
- Integrated test ports for testing parallel to conductor entry
- Custom-installed solder pins

Safety information 1:

The **picoMAX[®] pluggable connection system** is designed without breaking capacity for compliance with DIN EN 61984. When used as intended, MCS Connectors shall not be connected/disconnected when live or under load. The circuit design should ensure header pins, which can be touched, are not live when unmated.

Data

Electrical data

Ratings per IEC/EN 60664-1

| | |
|---------------------------------|--------|
| Rated voltage (III / 3) | 160 V |
| Rated impulse voltage (III / 3) | 2.5 kV |
| Rated voltage (III / 2) | 160 V |
| Rated impulse voltage (III / 2) | 2.5 kV |
| Rated voltage (II / 2) | 320 V |
| Rated impulse voltage (II / 2) | 2.5 kV |
| Rated current | 10 A |

Approvals per UL 1059

| | |
|--------------------------------|-------|
| Rated voltage UL (Use Group B) | 300 V |
| Rated current UL (Use Group B) | 10 A |
| Rated voltage UL (Use Group D) | 300 V |

Connection data

| | | | |
|---|---------------------------------|--------------------------|-----------|
| Connection technology | Push-in CAGE CLAMP [®] | | |
| Actuation type | Push-button | | |
| Solid conductor | 0.2 | 1.5 mm ² / 24 | 14 AWG |
| Fine-stranded conductor | 0.2 | 1.5 mm ² / 24 | 14 AWG |
| Fine-stranded conductor with ferrule with plastic collar | 0.25 | 0.75 mm ² | |
| Fine-stranded conductor with ferrule without plastic collar | 0.25 | 1.5 mm ² | |
| Strip length | 8 | 9 mm / 0.31 | 0.35 inch |
| Conductor entry angle to the PCB | 0° | | |
| Total number of connection points | 3 | | |
| Total number of potentials | 3 | | |

| | |
|----------------------------|---|
| Number of connection types | 1 |
| Number of levels | 1 |
| No. of poles | 3 |

Geometrical Data

| | |
|-----------------------------------|------------------------------|
| Pin spacing | 3.5 mm / 0.138 inch |
| Width | 10.5 mm / 0.413 inch |
| Height | 11.4 mm / 0.449 inch |
| Depth | 30 mm / 1.181 inch |
| Solder pin length | 3.6 mm |
| Solder pin diameter | 1 mm |
| Drilled hole diameter (tolerance) | 1.2 ^(-...+0.1) mm |

Mechanical data

| | |
|--------|---------------------|
| Design | With gripping plate |
|--------|---------------------|

Plug connection

| | |
|------------------------------------|-------------------------|
| Contact type (pluggable connector) | Female connector/socket |
| Connector connection type | for PCBs |
| Mismating protection | No |
| Mating direction to the PCB | 0° |

PCB contact

| | |
|-------------|-----|
| PCB contact | THT |
|-------------|-----|

Material Data

| | |
|-----------------------------|--|
| Color | light gray |
| Material group | I |
| Insulating material | Polyphthalamide (PPA GF) |
| Flammability class per UL94 | V0 |
| Clamping spring material | Chrome nickel spring steel (CrNi) |
| Contact material | Electrolytic copper (E _{Cu}) |
| Contact plating | tin-plated |
| Fire load | 0.038 MJ |
| Weight | 1.842 g |

Environmental Requirements

| | |
|-------------------------|-------------|
| Limit temperature range | -60 +100 °C |
|-------------------------|-------------|

Commercial data


| | |
|--------------------|---------------|
| Country of origin | DE |
| GTIN | 4050821364832 |
| Customs Tariff No. | 85366990990 |

Approvals / Certificates

Radio-Approvals


| Logo | Approval | Additional Approval Text | Certificate name |
|--|--|--------------------------|------------------|
| | CB DEKRA Certification B.V. | IEC 61984 | NL-49736 |
|  | CSA DEKRA Certification B.V. | C22.2 | 2362521 |
|  | KEMA/KEUR DEKRA Certification B.V. | EN 61984 | 71-102260 |

Country specific Approvals

| Logo | Approval | Additional Approval Text | Certificate name |
|--|--|--------------------------|------------------|
| | CB DEKRA Certification B.V. | IEC 61984 | NL-49736 |
|  | CSA DEKRA Certification B.V. | C22.2 | 2362521 |
|  | KEMA/KEUR DEKRA Certification B.V. | EN 61984 | 71-102260 |

Compatible products

Coding

| | | |
|--|--|-----------|
|  | Item no.: 2091-1610 Coding key carrier; suitable for 3.5 mm pin spacing; orange | 2091-1610 |
|--|--|-----------|

Downloads

Documentation

Additional Information



Technical explanations

Apr 3, 2019

pdf
3.6 MB

Download

Product family

picoMAX eCOM

Show all products from the family

Subject to changes.
